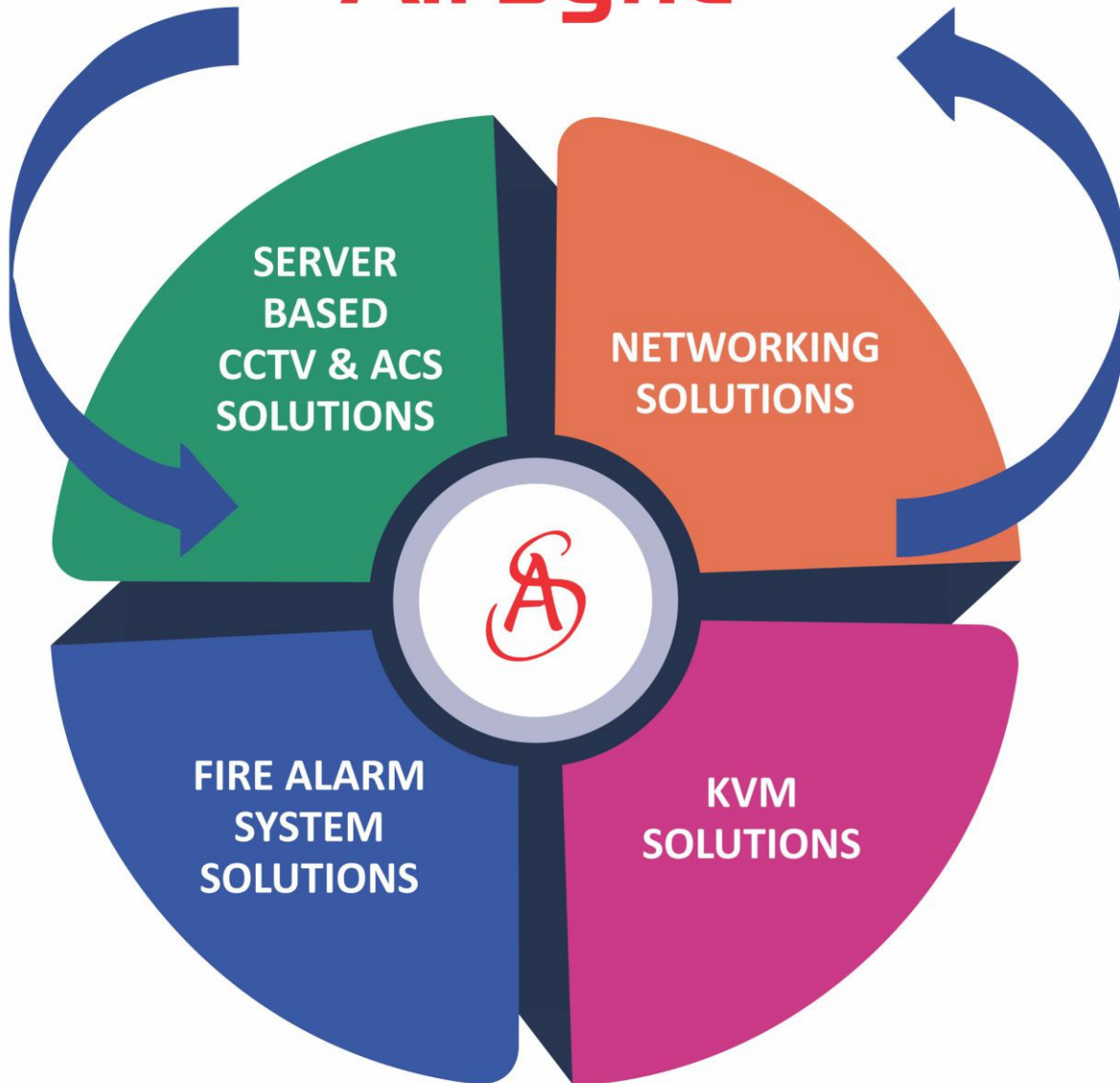




Airsync

Airsync



COMPANY PROFILE

AIRSYNC GROUP (AirSync Enterprises) was established in the year 2017 with the Projects & Service of ELV systems in various Qualifications (User Specifications, FAT, Design, Installation, Operational, Performance check). The company is managed by a team of professionals who have experience of over 10-15 years in the electronics data, security, safety management industry.

Later, we are expanded as per Market requirement with Security & Networking technologies solution provider in Industry sector under AIRSYNC GROUP as an (AIRSYNC TECHNOLOGIES PVT LTD. & AIRSYNC INFOTECH) were established in the year 2022.

AirSync CREDIBILITY

The company is Solution provider TURKEY SOLUTIONS in ELV systems
consultant (design, drawing & BOQ preparation)

Field work (Material Supply, Installation, Functional, Performance check)

Awareness of Installed system (Training, Warranty support, AMC's)

EXPERIENCE THE DIFFERENCE

Since more than Octennial, AirSync has offered high quality services in ELV system for industrial & Government sector. With our focused approach & inter-related solutions, associating with AirSync is indeed worthwhile decision

OUR TEAM

AirSync has some of the most talented and dedicated professionals in the industry, which paves the way for continuous support & meet customers about new technologies that keeps us a step ahead of the competition. Our sales team is driven by our core values- Trust, Commitment, Passion. Our years of experience ensure that our clients receive nothing but the best solutions.

CUSTOMER SATISFACTION

Meeting and exceeding the expectations of our customers is our #1 priority. That is why AirSync team are well trained, responsiveness, reliability and get results. Everyone along with value chain knows to expect ease of use and value of money when investing in AirSync services. We take pride in the fact that many prestigious pharmaceutical organizations, Manufacturing plants & Government sectors etc

AirSync

High Quality CCTV

AirSync can offer you high quality and reliable CCTV surveillance. CCTV is important for the protection of personnel as well as properties. We understand that some industries operate in an environment that changes quickly, and we work with you to ensure you have a solution that is suitable for your organization

Our Previous Clients

- Government Sectors
- Corporate Offices
- Factories and Warehouses
- Hospitals and Clinics

Recent Project

As part of a large security initiative, we consulted and thereafter installed CCTV for a Ministry of Defense (Mazgaon Dock shipbuilders Ltd. Mumbai & DRDO Hyderabad) and Ministry of Atomic Energy (BARC, Trombay). Due to the security concerns, we were required to conduct a full audit of the buildings and various sites to ensure all cameras were well positioned and could be used as a proactive solution to manage and oversee security.

CCTV Unique Features

“32/64/128-Channel Enterprise NVR with Video Management hardware & software”

- Database- SQL Based
- Client connections- Desktop Client, Web Client, Remote Clients
- Picture controls per camera- Sharpness, blur, brightness, contrast, hue, saturation, maintain aspect ratio, stretched, original size and picture mirror
- RAID Card- Data Raid level: 0,1,5,6,10.



CCTV OEM's Connectivity

- Honeywell
- Milestone
- Bosch
- Pelco
- Axis
- Hikvision & Many more

CCTV Active Passive Components OEM's Connectivity

- HP
- Dell
- Blackbox
- Seagate
- Toshiba
- Western Digital
- Samsung
- CISCO
- Dlink & Many more



Take total control of ACCESS CONTROL with AirSync

Complete, end to end solutions from cameras to access controllers, from alarm relays to IP architecture, from door locks to NVR's and more – have been engineered by the AirSync team in the security Industry connected with various manufacturers. The need for perimeter security both indoor and outdoor grows every day. We provide features like tamper proof credential systems, MIFARE and Contactless card readers and multiple input access modes for secure identity confirmation.

AirSync is a name you can trust in security.

System Topology

A complete access control system consists of an access controller, card reader, exit button, lock and software platform along with any other needed accessories.

We are offered professional Access controller designed for large scale applications, including large office buildings and government projects. Integrated and managed using software, the controllers provide maximum functionality and security.

Access Control software Platform

We offered various integrations in single platform with Events, Alarms history & Reports generation.

- | | |
|---|-----------------------------|
| 1. Fingerprint / Card / Face Reader Terminals | 7. Guard patrol |
| 2. Boom Barriers | 8. Metal Detector |
| 3. Turnstiles | 9. RFID Parking gate system |
| 4. Flap Barriers | 10. Visitor Management |
| 5. Swing Barriers | 11. Canteen Management |
| 6. Bollards | |

ACS OEM's Connectivity

- Honeywell
- HID
- Bosch
- Matrix
- Essl
- Hikvision & Many more



Intelligent detection; superior protection

AirSync cares about safety. All offered products are designed to assure users that their lives will not only be protected, but quickly and effectively saved. A swift response by the fire detection system is crucial for alerting services and getting help and because all offered products can be combined, a completed solution can be built from just one source.

A system as individual as you are Reliable, flexible and customer specific.

Fire alarm system

Reliable- AirSync offers a broad portfolio of EN & UL certified products and systems for accurate, reliable fire detection and notification. Our solutions provide precise, lifesaving information at critical moments.

Flexible- AirSync gives you the opportunity to configure your own system according to your specific needs based on the modular principle. The system adapts to the nature and size of your facility's application

Unique features we offered

- Panel Networking
- A variety of Interfaces
- Remote control
- Integration with Building management systems

Fire Alarm and Voice evacuation with Smart Safety Link

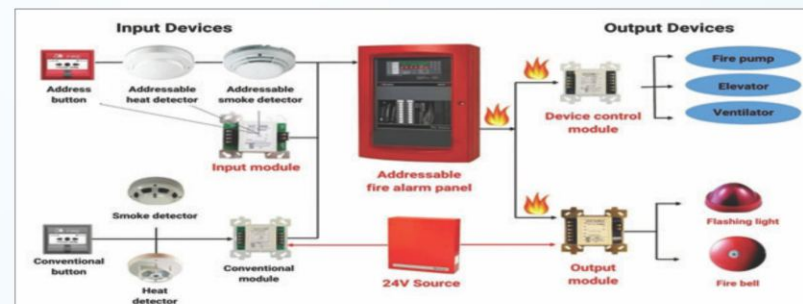
Advance voice evacuation- AirSync provides everything required for an advanced voice evacuation system. Voice messages have excellent speech intelligibility and signals are clear and easy to understand. The system can route prerecorded messages and signals and can provide background music and commercial announcements during everyday operation.

Parts of Integration

- Automatic fire detectors
- Sounders and strobes
- Special detectors – Linear heat detectors, Flame detectors and beam detectors
- Industrial Gas detectors – Flammable, Toxic, Oxygen
- Manual call points
- Interface modules

FIRE ALARM & VOICE EVACUATION OEM's Connectivity

- Honeywell
- Eaton
- BOSCH
- EST
- Simplex
- GST & Many more



Why Secure KVM

Cyber threats are constantly evolving, becoming more frequent and sophisticated every day. Our reliance on technology, sharing of global resources, and need for real-time collaboration have led to a growing web of data. While interconnectivity helps us work together more efficiently and effectively, it also leaves us increasingly vulnerable to devastating cyberattacks.

KVM technology provides monitoring solutions for automation, processes, and workflow. It gives users improved operability and a quick return on investment due to better workplace ergonomics and productivity. KVM switches enable users to save space by reducing interface devices, save costs by eliminating redundant peripherals, and react faster in critical situations.

How Secure KVM Switches Combat Cyber attacks

Rigid Security Features inside AirSync offered Secure KVM Switches

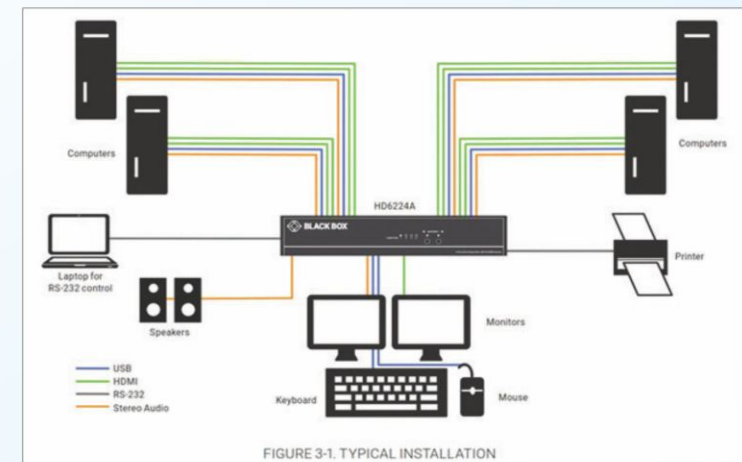
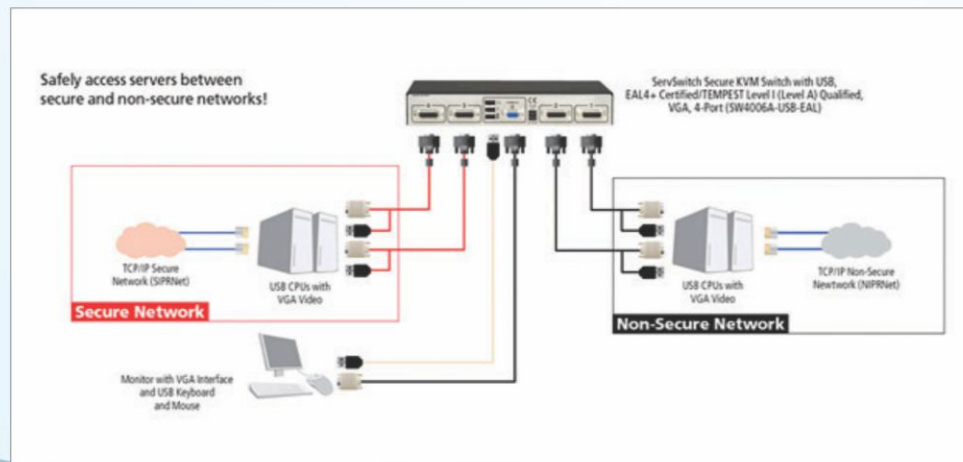
- Mechanical, electrical and optical signal isolation prevent hacking and data leakage absolute isolation / no data leakage between secure ports and the outside world
- Certified to NIAP PP 4.0, the highest Common Criteria level (Protection Profile for Peripheral Sharing Switch Version 4.0)
- Multi-level security for strict information assurance
- Chassis intrusion protection
- Keyboard & Mouse emulation
- Fully configurable Common Access Card (CAC) port for external USB peripherals

Why AirSync

Expertise- AirSync project engineers can assist with system assessment, design, deployment and training.

Breadth- AirSync offers the most comprehensive suite of engineered KVM solutions in the industry.

Support- Reflecting our commitment to complete satisfaction, our dedicated team of highly trained support technicians is available by phone free of charge, every day of the year.



SERVER, Workstations, Hardware Networking, Customized software Solutions

Rack/Tower Server : AirSync offers a comprehensive rack/Tower server product line featuring high computing density, high expandability and high manageability, ideal for multi workload.

Workstations : Professional, certified workstations have server-grade computing power, incredible expandability and advanced I/O, best suited for content creators, heavy graphics load.

Hardware & Networking : AirSync offers a design and implementation of NETWORK HUB as per customer requirements.

Software solutions are defined as the process of designing, creating, testing, and maintaining computer programs and applications.

Enabling Technological Innovation: Software solutions plays a crucial role in technological advancements. Software solutions are responsible for creating innovative cloud based, smartphone applications, designing websites, or developing complex enterprise software.

Improved Efficiency: In various industries, software solutions play a crucial role in automating tasks and processes. This automation leads to enhanced efficiency.

Adapting to Changing Needs: Software solutions offers the necessary flexibility and adaptability, allowing developers to continually update and modify software in response to evolving user needs, regulatory requirements, and business demands. This ability to adapt holds paramount importance in effectively navigating the rapid changes of the digital domain.

Software solutions modules we offered

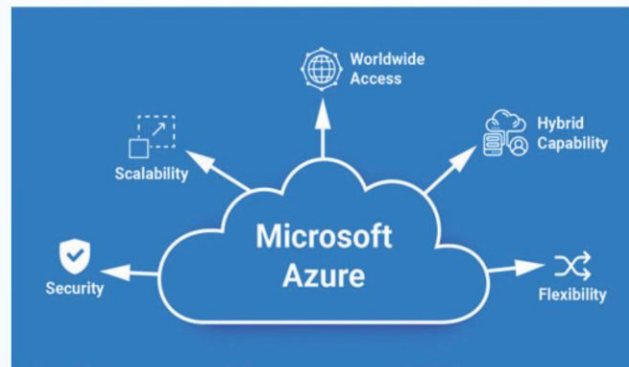
Module 1: Introduction to Full Stack Development

Module 2: Front-end Development

Module 3: Back-end Development

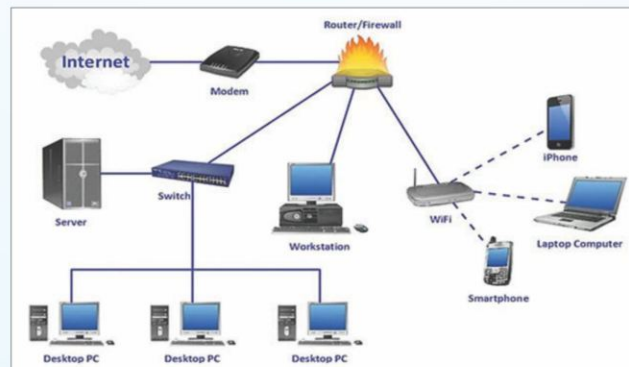
Module 4: Database Management

Module 5: Deployment and Hosting:
Cloud Platforms



NETWORKING OEM's Connectivity

- HP
- DELL
- MICROSOFT
- CISCO
- BLACKBOX
- COMMSCOPE & Many more





AIRSYNC GROUP

ENVIRONMENT, HEALTH AND SAFETY POLICY

Obligations

Management is firmly committed to a policy enabling all work activities to be carried out safely, and with all possible measures taken to remove (or at least reduce) risks to the health, safety and welfare of workers, contractors, authorised visitors, and anyone else who may be affected by our operations.

We are committed to ensuring to comply with The Factories Acts 1948, Maharashtra Factories Rules 1963, other applicable Rules, Regulations, Codes of Practice, and Indian Standards as far as possible.

Responsibilities

Management:

Will provide and maintain as far as possible:

- A safe working environment
- Safe systems of work
- Plant and substances in safe condition.
- Facilities for the wellbeing & welfare of workers
- Information, instruction, training, and supervision that is reasonably necessary to ensure that each worker is safe from injury and risks to health.
- A commitment to consult and co-operate with workers in all matters relating to health and safety in the workplace.
- A commitment to continually improve our performance through effective safety management.

Workers:

Each worker has an obligation to:

- Comply with safe work practices, with the intent of avoiding injury to themselves and others and damage to plant and equipment.
- Take reasonable care of the health and safety of themselves and others.
- Wear personal protective equipment and clothing where necessary.
- Comply with any direction given by management for health and safety.
- Not misuse or interfere with anything provided for health and safety.
- Report all accidents and incidents on the job immediately, no matter how trivial.
- Report all known or observed hazards to their supervisor or manager.

Application of this policy

We seek the co-operation of all workers, customers, and other persons. We encourage suggestions for realising our health and safety objectives to create a safe working environment with a zero-accident rate.

This policy applies to all business operations and functions, including those situations where workers are required to work off-site.

Policy Authorised By: Mr. Sachin Gadappa

Date: 1st JAN 2025



**AIRSYNC TECHNOLOGIES PVT LTD
AIRSYNC ENTERPRISES
AIRSYNC INFOTECH
AIRSYNC INTERIOR**



AirSync Group

AirSync Technologies Pvt Ltd

GST No. 27AAXCA0457F1ZG

AirSync Enterprises

GST No. 27ARJPG9142M1ZB

AirSync Infotech

GST No. 27BKHPG0203K1ZI

Address :

**E-54/6, Mayur Nagar,
N-11, HUDCO,
Chhatrapati Sambhaji Nagar
(Aurangabad) Maharashtra 431003**

E-Mail ID (Common)

sales@airsync.in

Contact No.

0240-2924272